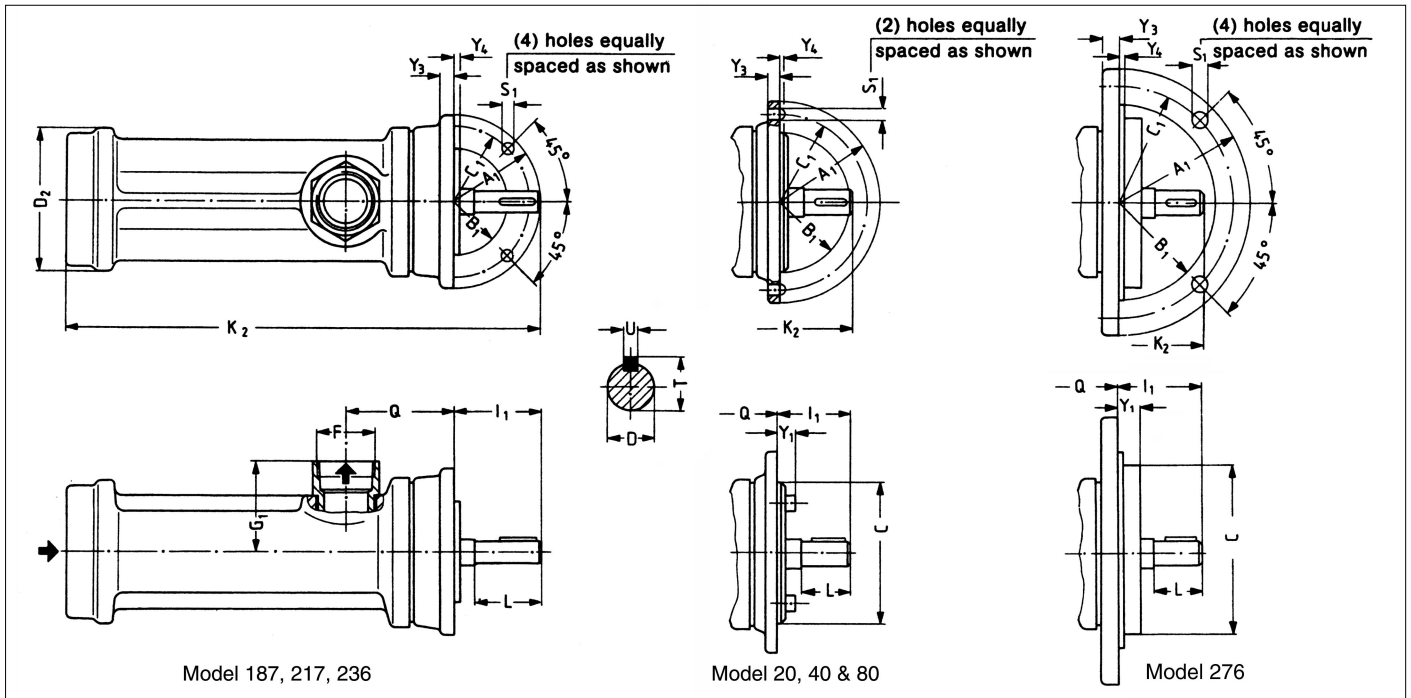


Submersible Pump Dimensions (inches)



Model	Pump				Shaft				Discharge	
	D ₂	I ₁	K ₂	Q	D	L	T	U	F	G ₁
20	3.15	2.28	11.14	2.28	$\frac{.74785}{.74702}$	1.38	.85	$\frac{.2362}{.2350}$	3/4" NPT	2.54
40	4.45	2.28	12.40	2.64	$\frac{.74785}{.74702}$	1.38	.85	$\frac{.2362}{.2350}$	1" NPT	2.95
80	4.45	2.28	13.90	2.83	$\frac{.74785}{.74702}$	1.38	.85	$\frac{.2362}{.2350}$	1 1/2" NPT	3.03
187	5.59	4.25	18.46	3.98	$\frac{1.25955}{1.25856}$	3.15	1.38	$\frac{.3937}{.3923}$	2" NPT	3.94
217	6.30	4.25	20.24	4.17	$\frac{1.25955}{1.25856}$	3.15	1.38	$\frac{.3937}{.3923}$	2" NPT	3.74
236	6.30	4.25	21.46	4.17	$\frac{1.25955}{1.25856}$	3.15	1.38	$\frac{.3937}{.3923}$	2" NPT	3.94
276	7.48	4.02	27.13	5.75	$\frac{1.25955}{1.25856}$	2.56	1.38	$\frac{.3937}{.3923}$	3" NPT	4.84
276*	7.75	4.21	26.73	5.55	$\frac{1.2598}{1.2589}$	2.56	1.38	$\frac{.3937}{.3923}$	2 1/2" NPT	4.84

Model	Flange								Weight (lbs.)	
	A ₁	B ₁	C	C ₁	S ₁	Y ₁	Y ₃	Y ₄	Net	Ship
20	$\frac{6.1018}{6.1002}$	4.33	-	5.31	.35	.16	.39	-	11	13
40	$\frac{6.1018}{6.1002}$	4.33	4.33	5.31	.35	.55	.39	.08	17	20
80	$\frac{6.1018}{6.1002}$	4.33	4.33	5.31	.35	.55	.39	.08	23	26
187	7.09	$\frac{4.3744}{4.3736}$	-	6.26	.31	-	.47	.20	38	42
217	7.09	$\frac{4.3744}{4.3736}$	-	6.26	.31	-	.47	.20	51	55
236	7.09	$\frac{4.3744}{4.3736}$	-	6.26	.31	-	.47	.20	59	63
276	11.50	$\frac{8.6614}{8.6603}$	-	10.24	.69	-	.71	.20	90	110
276*	9.02	$\frac{4.3745}{4.3736}$	-	8.12	.44	-	.59	.20	90	110

* A4PICX-276 Pump Dimensions